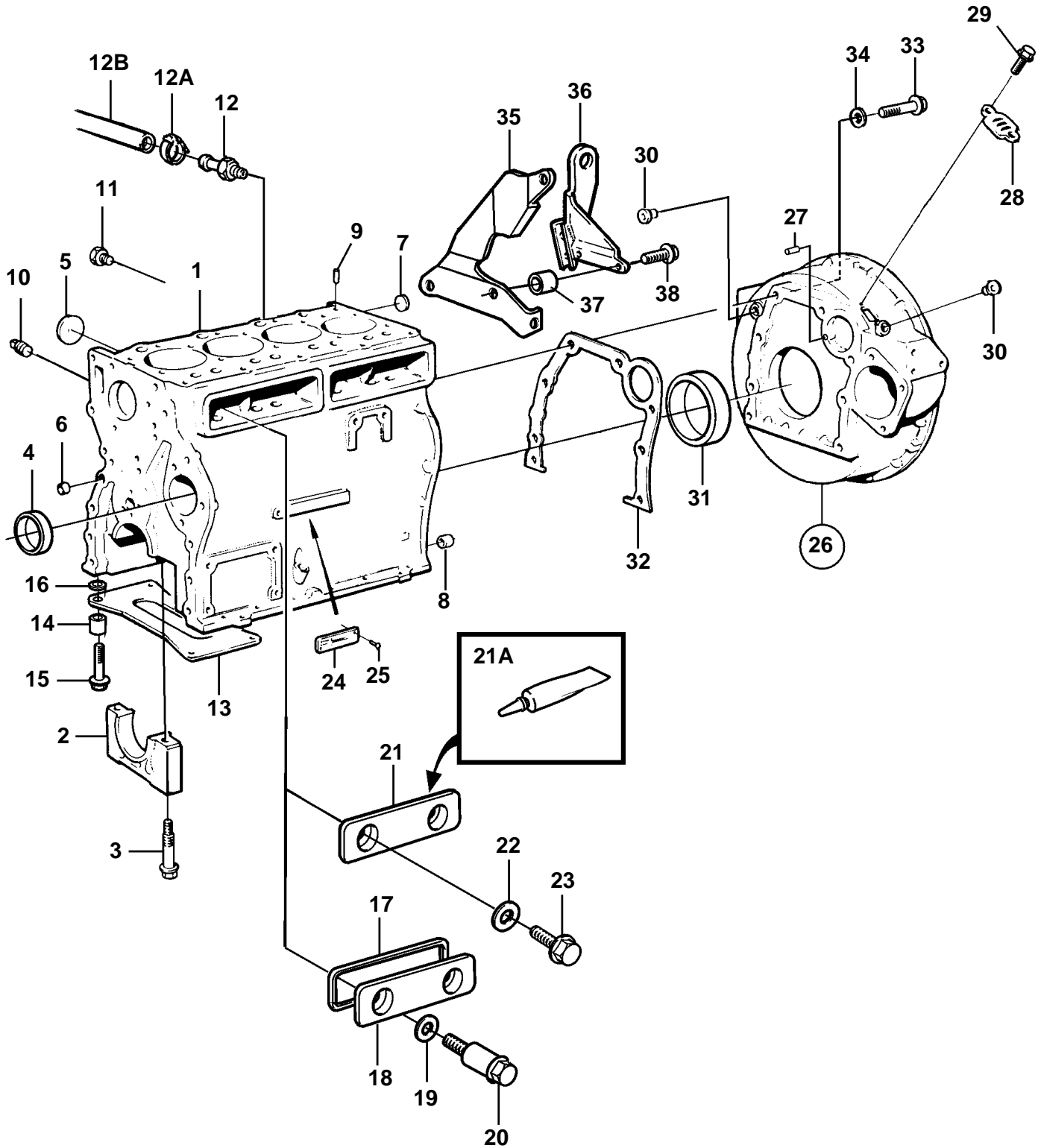


KAD32P-A



KAD32P-A

REF	PART NO.	QTY	DESCRIPTION	SEE SEC.	NOTES
1	861015	1	Cylinder block		SN-2032005794
	3583851	1	Cylinder block	SO	SN2032005795-
2		5	· Main bearing cap		
3	861005	10	· Flange screw		
4	1542067	5	· Bushing		
5	463905	2	· Expansion plug		
6	955083	4	· Cap plug		
7	968955	1	· Expansion plug		
8	415311	3	· Sleeve		
9	946402	2	· Pin		
10	479977	1	Plug		
11	479979	2	Plug		
12	860819	1	Nipple		
12A	943470	1	Hose clamp		
12B	952967	X	Rubber hose		L=900mm
13	1545159	1	Foot plate		
14	1545160	4	Spacer sleeve		
15	965187	4	Screw		
16	3850090	4	Spacer		(1545204)
17	1542052	2	Rubber seal		EARLY TYPE
18	1542050	2	Inspection lid		EARLY TYPE
19	469846	4	Sealing ring		EARLY TYPE
20	859447	4	Shoulder screw		EARLY TYPE
21	877262	2	Inspection lid		LATE TYPE
21A	1161231	X	Sealant		LATE TYPE
	1161277	X	Sealant		LATE TYPE
22	18666	4	Gasket		LATE TYPE
23	965185	4	Flange screw		LATE TYPE
24		1	Sign		
25		2	Rivet		
26	3581825	1	Flywheel housing		
27		1	Pin		
28	407092	1	Cover		
29	967949	2	Screw		(965175)
30	860926	2	Plug		
31	3582851	1	Sealing ring kit		
32	829487	1	Gasket		
33	965185	6	Flange screw		L=40mm
	965220	2	Flange screw		L=45mm
34	941908	8	Spring washer		
35		1	Bracket	3047	
36	860419	1	Lifting eye		
37	860699	2	Sleeve		
38	946472	2	Screw		